
Subject: Veri-Thin Scientist

Posted by [Case](#) on Wed, 05 May 2021 13:57:17 GMT

[View Forum Message](#) <> [Reply to Message](#)

Model name: Veri-Thin Scientist

Type: variant of Import # 252 (or 245 or 249, per below)

Period/date: 1941-1943

Gender: Men's

Case Maker: Pioneer

Case Material: 10k Pink GF / Guildite back -- bezel appears to be sterling base, from the discoloration

Case Serial: 6029908

Case Style no: 411SS-494

Caliber: 410SS Precision (17j)

Movement Maker: Gruen Watch Co

Movement Serial: 714682

Bracelet: 12k pink gold filled "grains of rice" link bracelet

Other info: Stamped with US patent # 2,229,979, covering the case design by Pioneer Watch Case Company.

File Attachments

1) [back.jpg](#), downloaded 1323 times



2) [caseback.jpg](#), downloaded 1351 times

2-27-11-11
CASED AND TIMED
BY
GRU
WATCH
PIONEER WATCH

3) [front.jpg](#), downloaded 1427 times



4) [movement.jpg](#), downloaded 1347 times



5) [patent.jpg](#), downloaded 1369 times

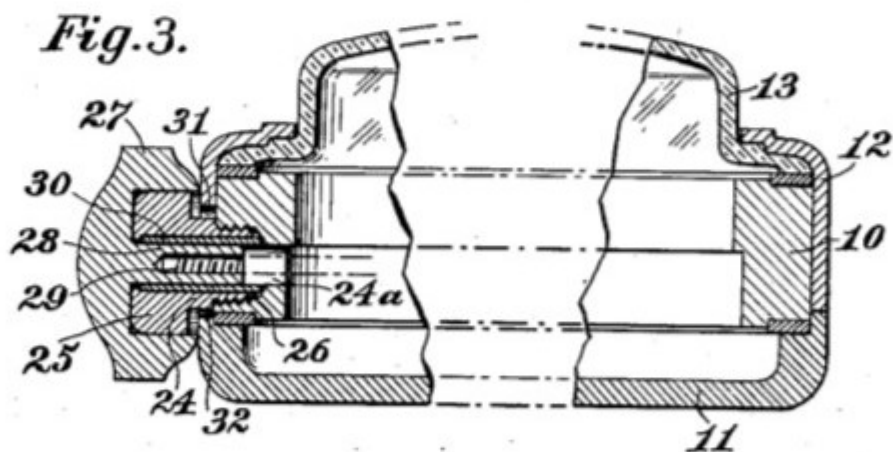
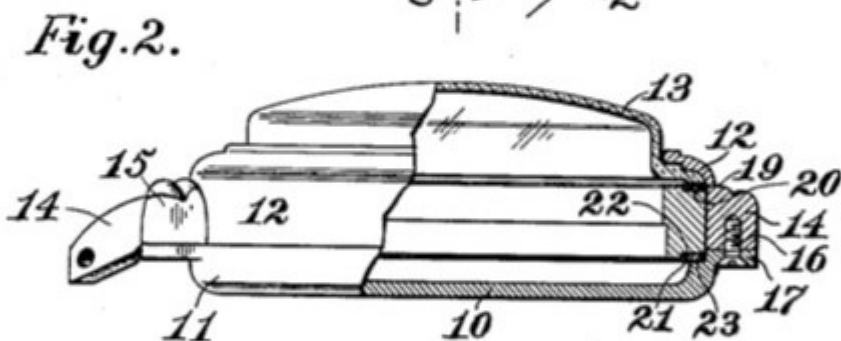
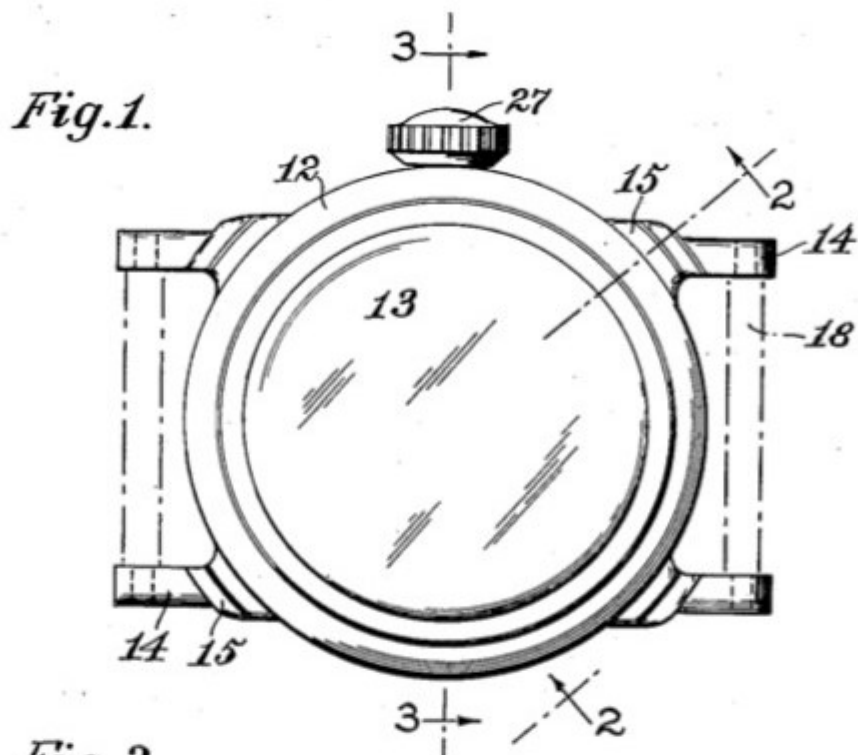
Jan. 28, 1941.

S. KRAMER

2,229,979

WATCHCASE

Filed June 7, 1939



INVENTOR.
Samuel Kramer

6) [wrist.jpg](#), downloaded 1361 times

